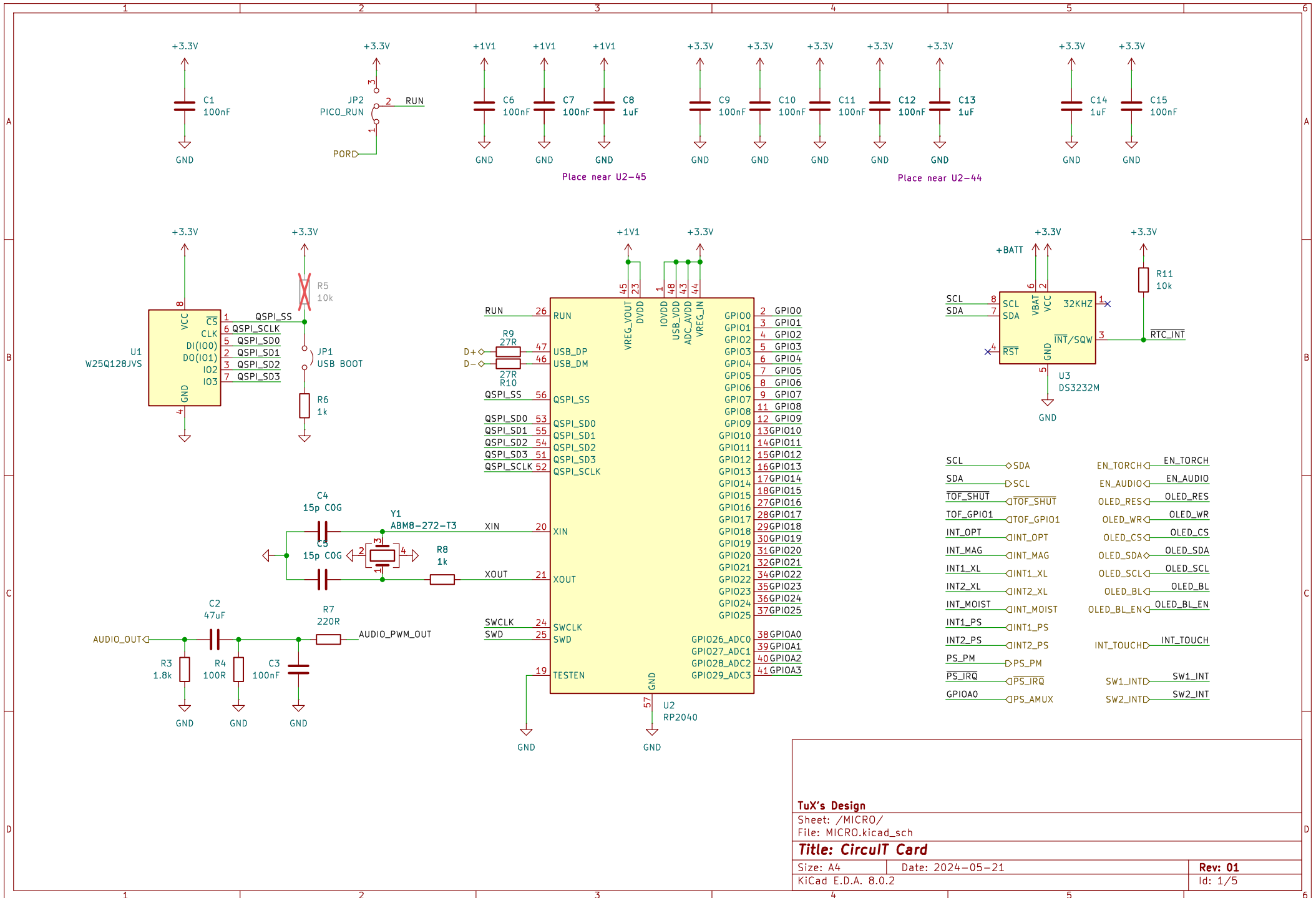


- H1 MountingHole
- H2 MountingHole
- H3 MountingHole
- H4 MountingHole
- H5 MountingHole

I2C ADDRESS MAP

U2 - MICRO [RP2040]
 U3 - RTC [DS3232M] ADDR: D0h
 U6 - PRESS/ALTIMETER [MPL3115A2S] ADDR: 60h
 U7 - HUMIDITY [HDC302x-Q1] ADDR: 44h | 45h | 46h | 47h
 U8 - LIGHT [OPT3004] ADDR: 44h | 45h | 46h | 47h
 U9 - ToF [VL53L1] ADDR: 52h
 U10 - ACC/MAG [ISM303DAC] ADDR: 1Dh (ACC) & 1Eh (MAG)
 U11 - TOUCH/LED [MPR121] ADDR: 5Ah - 5Dh

TuX's Design	
Sheet: /	
File: myCC.kicad_sch	
Title: Circuit Card	
Size: A4	Date: 2024-05-21
KiCad E.D.A. 8.0.2	Rev: 01
	Id: 1/5

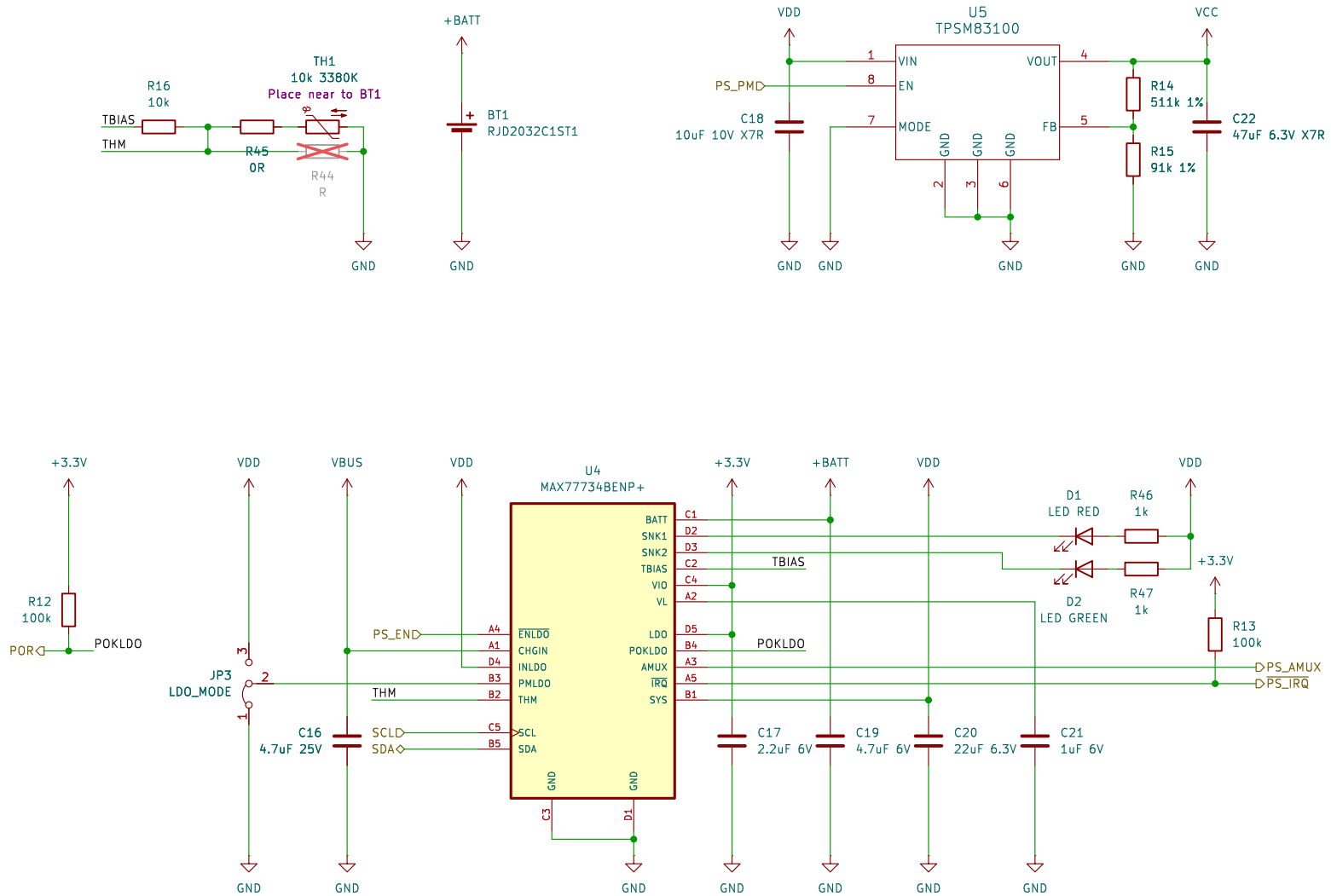


Place near U2-45

Place near U2-44

- SCL — SDA
- SDA — SCL
- TOF_SHUT — TOF_SHUT
- TOF_GPIO1 — TOF_GPIO1
- INT_OPT — INT_OPT
- INT_MAG — INT_MAG
- INT1_XL — INT1_XL
- INT2_XL — INT2_XL
- INT_MOIST — INT_MOIST
- INT1_PS — INT1_PS
- INT2_PS — INT2_PS
- PS_PM — PS_PM
- PS_IRQ — PS_IRQ
- GPIOA0 — PS_MUX
- EN_TORCH — EN_TORCH
- EN_AUDIO — EN_AUDIO
- OLED_RES — OLED_RES
- OLED_WR — OLED_WR
- OLED_CS — OLED_CS
- OLED_SDA — OLED_SDA
- OLED_SCL — OLED_SCL
- OLED_BL — OLED_BL
- OLED_BL_EN — OLED_BL_EN
- INT_TOUCH — INT_TOUCH
- SW1_INTD — SW1_INT
- SW2_INTD — SW2_INT

TuX's Design	
Sheet: /MICRO/	
File: MICRO.kicad_sch	
Title: Circuit Card	
Size: A4	Date: 2024-05-21
KiCad E.D.A. 8.0.2	Rev: 01 Id: 1/5



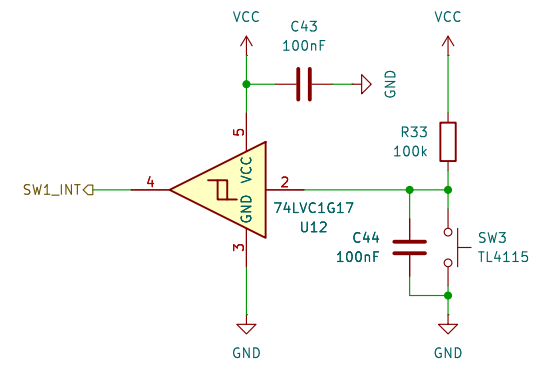
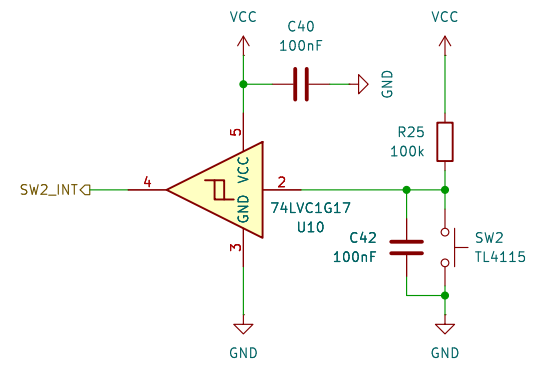
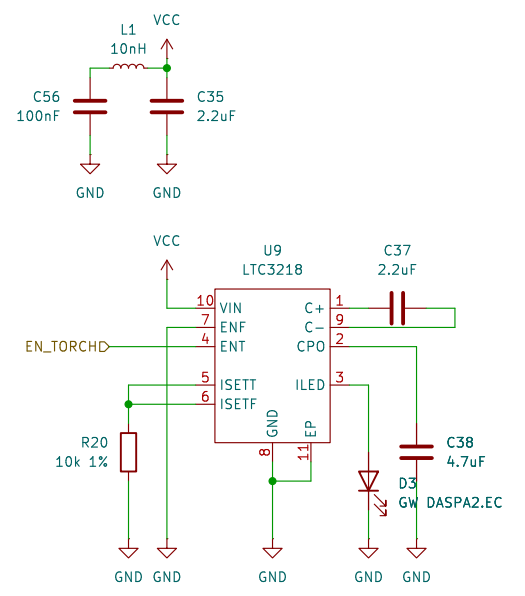
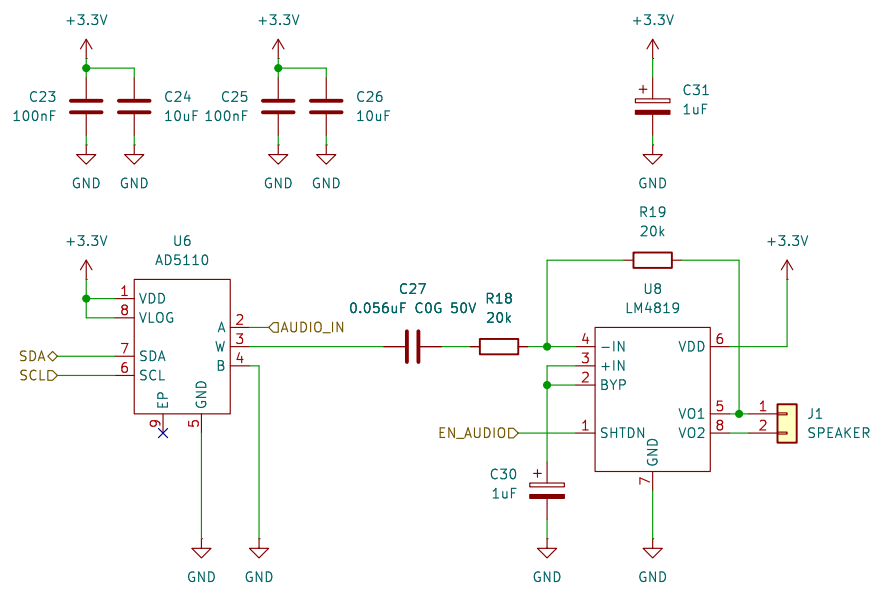
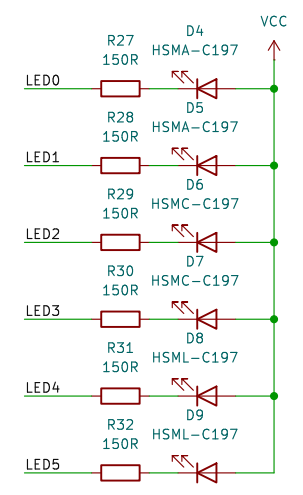
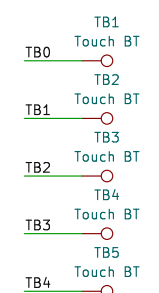
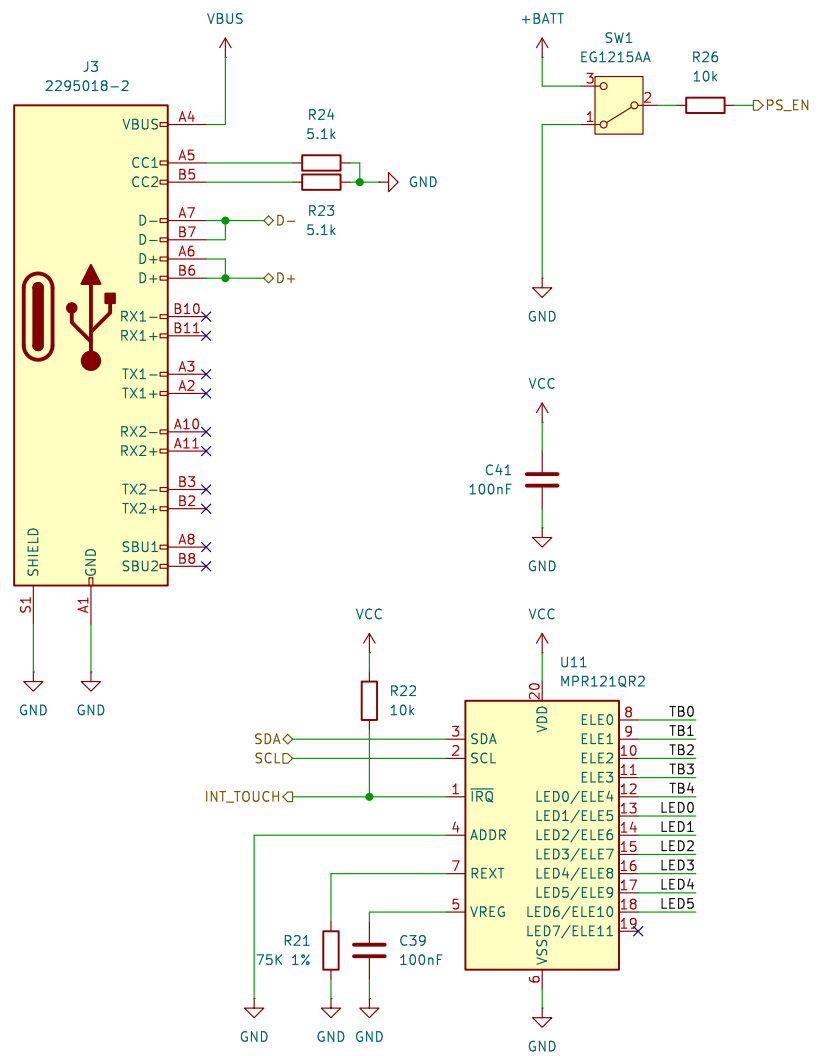
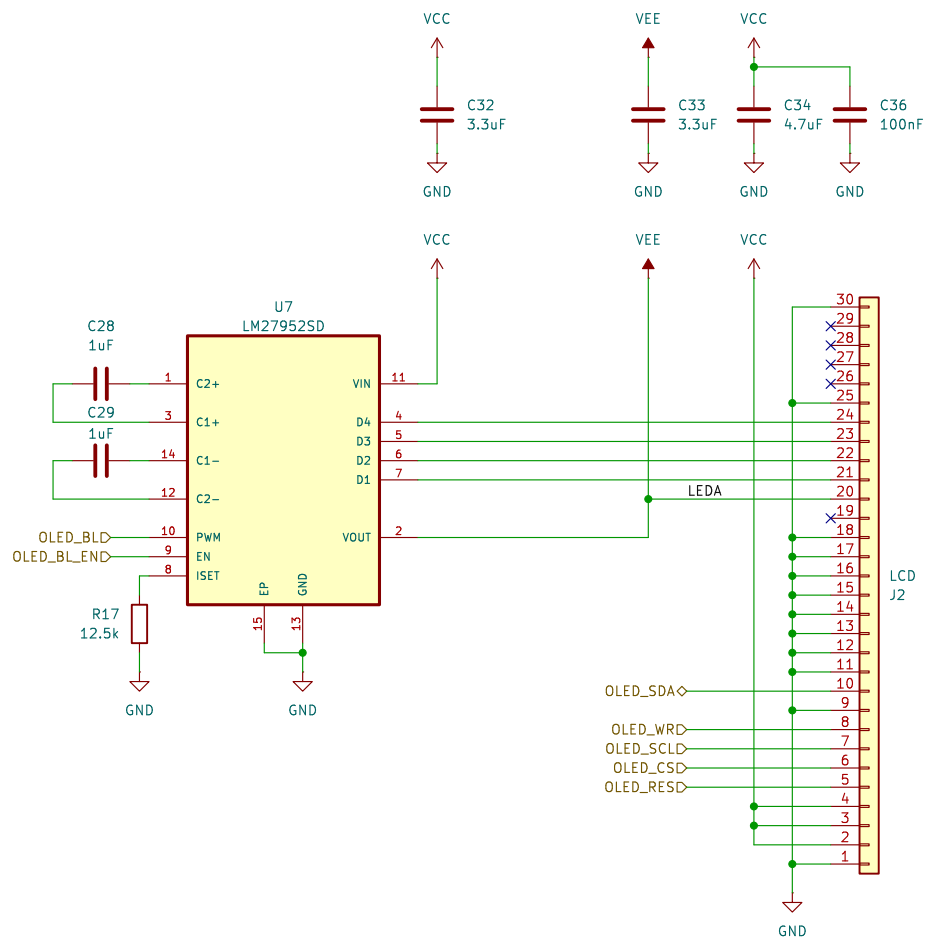
TuX's Design

Sheet: /POWER/
 File: POWER.kicad_sch

Title: Circuit Card

Size: A4 Date: 2024-05-21
 KiCad E.D.A. 8.0.2

Rev: 01
 Id: 2/5



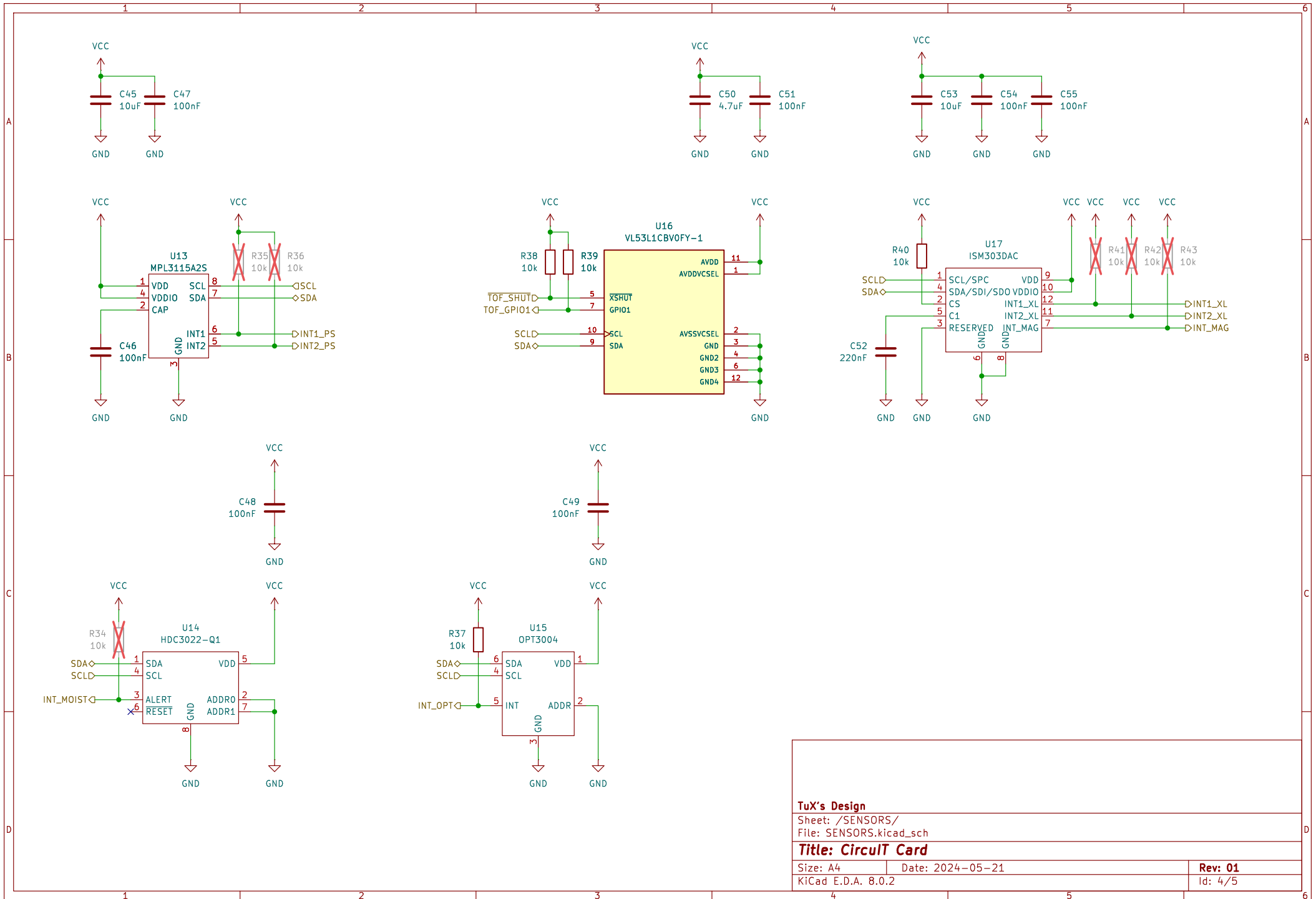
TuX's Design

Sheet: /10/
File: io.kicad_sch

Title: Circuit Card

Size: A3 Date: 2024-05-21

Rev: 01
Id: 3/5



TuX's Design

Sheet: /SENSORS/
 File: SENSORS.kicad_sch

Title: Circuit Card

Size: A4 Date: 2024-05-21
 KiCad E.D.A. 8.0.2

Rev: 01
 Id: 4/5